

RANGE DIGISENS

TRIPOD : Numerical multiparameter probe

Numerical technology for enhanced reliability measures

- Measure until 9 parameters with the same probe
- Technology of oxygen measure by optical way
- Numerical communication **Modbus** RS-485 and SDI12
- Compact, strong and tight probe

Measured parameters :

- Temperature
- pH, ORP
- Conductivity, salinity, TDS
- Oxygen (% Sat, ppm, mg/L)
- Turbidity (NTU, FNU), SS (mg/L)

Field of applications :

- Wastewater
- Surface water
- FishFarming, Aquaculture
- Drinking water

Multiparameter probe :

The new numerical TRIPOD of PONSEL MESURE allows to measure until 8 physico-chemical parameters in the same time dedicated to the quality of waters among the following ones: pH, ORP, Temperature, DO (by optical way), turbidity (NTU / FNU), Turbidity (mg / L), conductivity, salinity, TDS..

Ready to be connected

Compact, robust and communicating in Modbus R485 or SDI12 the TRIPOD can be associated with every type of terminal with inlet RS485 Modbus (automaton of remote processing, transmitter, to logger) or SDI12 (acquisition device, logger with transmission GSM / GPRS, sampler ISCO, flowmeter).

Resisting the disturbances: a pre-amplification is integrated into the sensor and the digital processing of the signals allows an extreme fiabilisation of the measures.

The TRIPOD associated with the handheld multiparameters ODEON allows an optimization and a fiabilisation of your physico-chemical measures : important capacity of recording (until 100 000) and large autonomy.

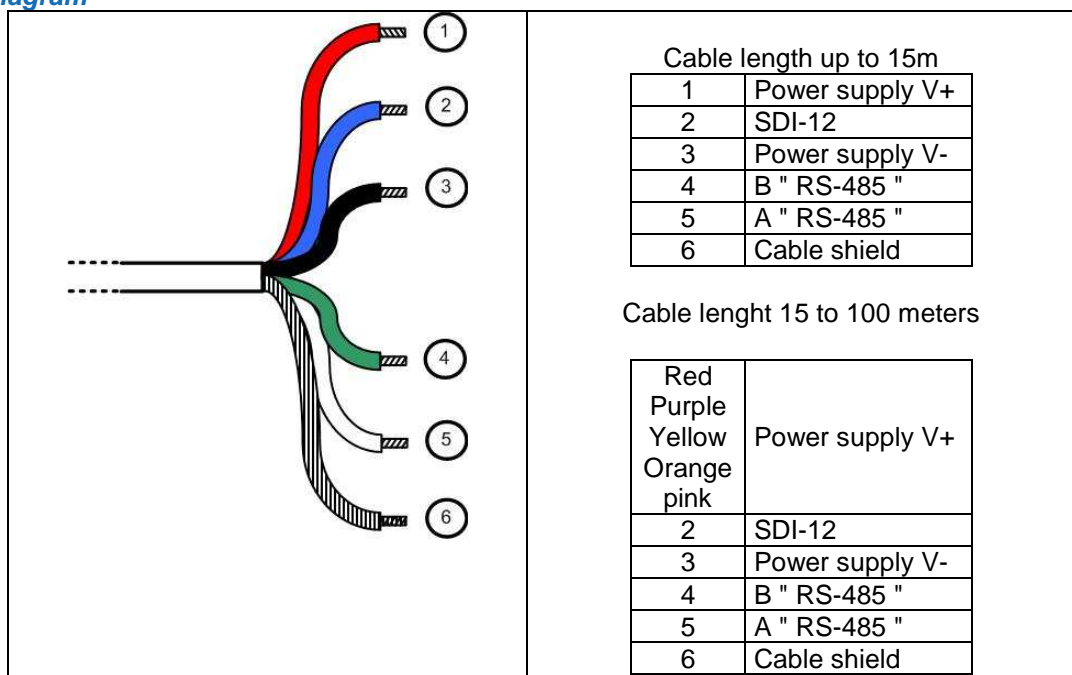


Sensors technical characteristics :

	Parameter	Range	Précision	Type de capteur
PH/REDOX/°C	Temperature	0,00 to + 50,00 °C	± 0,1°C	NTC Inox
	pH	0,00 to 14,00 pH	± 0,1	plasticized PONSEL "PLASTOGEL"®. electrolyte Ag/AgCl reference
	ORP	- 1000,0 to + 1000,0 mV	± 2 mV	Platinum electrode Ag/AgCl reference
OPTOD®	Dissolved Oxygen /T°C	0,00 to 20,00 mg/L 0,0 to 200,0 % SAT	± 0,1 mg/L ± 1 %	PONSEL OPTOD optical luminescence technology ASTM D888 – 05Compliance
C4E	Conductivity	0,0 to 200,0 ; 0 to 2 000 µS/cm 0,00 to 20,00. 0,0 to 200,0 mS/cm	± 1 % of the full range	C4E Technology 4 electrodes (2 platinum and 2 graphite)
	Salinity	5,00-60,00 ppt	± 0,5 % of the full range	C4E Technology 4 electrodes (2 platinum and 2 graphite)
NTU	Turbidity	0,00 to 50,0 ; 0,0 to 200,0 NTU 0 to 1000 NTU ; 0 to 4000 NTU AUTOMATIC RANGE Range 0-4500 mg/L	± 1 % of the full range	IR 90° technology ISO 7027 compliance

Probe	
Interface signal	Modbus RS485 /SDI12
Measurement frequency	< 1 s max
Power supply	5-12 Volts
Dimensions	Diameter max. 75 mm, Lenght (without hook) 288 mm, Lenght with hook 394 mm
Weight	1300 g
Material	EPDM, PVC, Inox
Pressure	5 bars
Connection	9 armoured connectors, polyurethane jacket, bare-wires or waterproof Fisher connector
Protection	IP68

Wiring diagram



NordAtlas GmbH

Tel.:+49 176 710 790 53

info@Nordatlas.com

<https://nordatlas.com>